

## DL Custom new generation workbenches

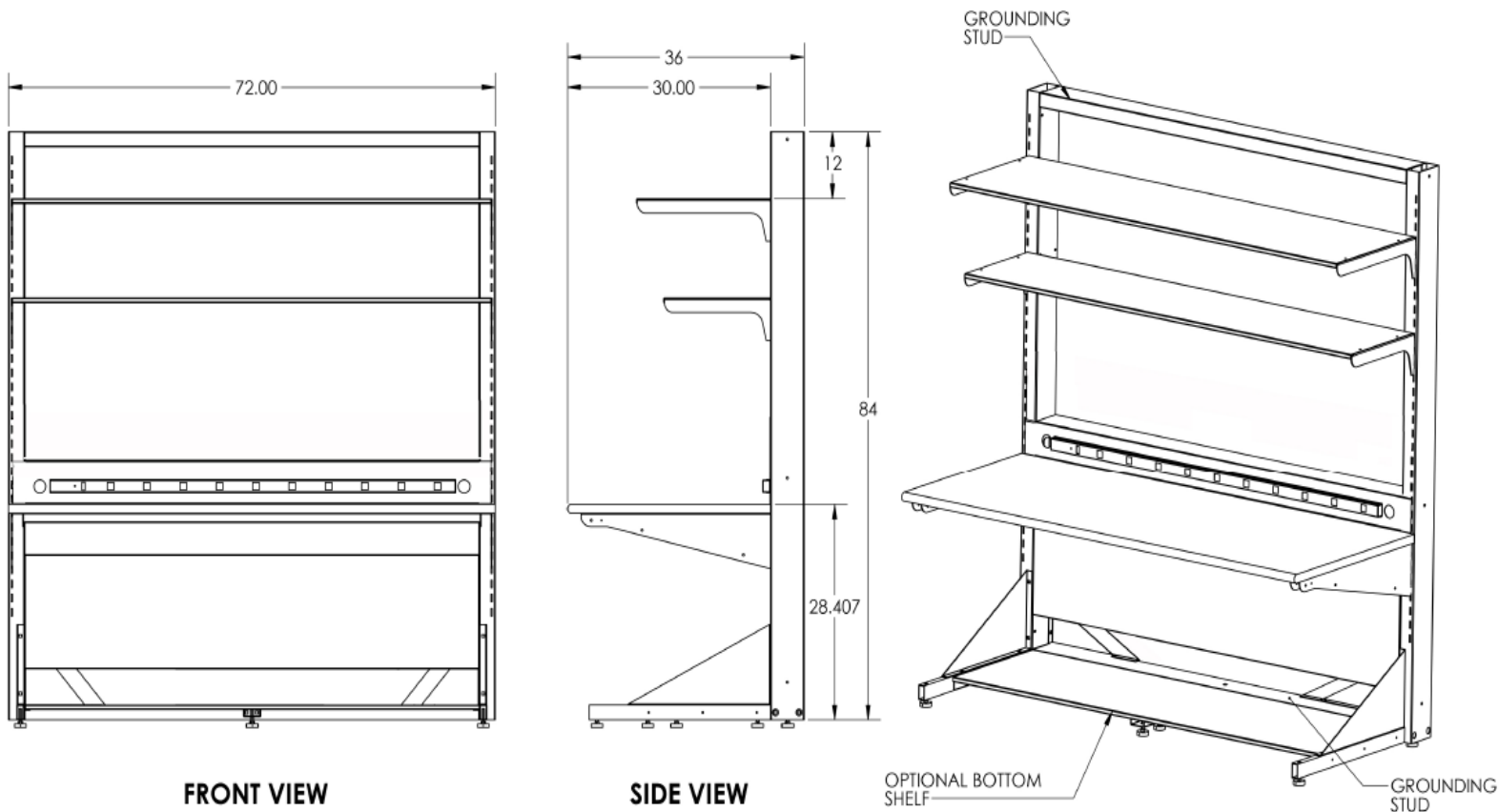


- DL Custom's latest generation workbenches are ideal solutions to workstation that requires high levels of durability, adjustability, and adaptability for any workspace environment.
- These workbenches can be easily integrated either into existing workspaces or to locate them as independent self-supporting workstations.
- DL Custom's Workbenches can be configured with a wide range of accessories including adjustable work surfaces, adjustable shelving, electrical raceways, task lighting and filing cabinets.
- Convenient height adjustment allows custom adaptation to specific operator and/or process requirements.
- DL Custom workbenches come with 10 years manufacturer warranty

### Load Ratings

- Single work surface is rated for 500lbs, and shelving units are rated for 350lbs each
- DL Custom workbenches meet or exceed the International Standards Organization specifications as found in ISO 4586, titled, "High Pressure Decorative Laminate (HPDL) or PLam
- The UL GREENGUARD Environmental Institute™ has awarded its UL GREENGUARD® Indoor Air Quality Certification to Wilsonart Laminate used in DL Custom workbenches
- DL Custom workbenches are powered by CSA and UL certifications.

## DL Custom new generation workbenches



### Ordering Guide:

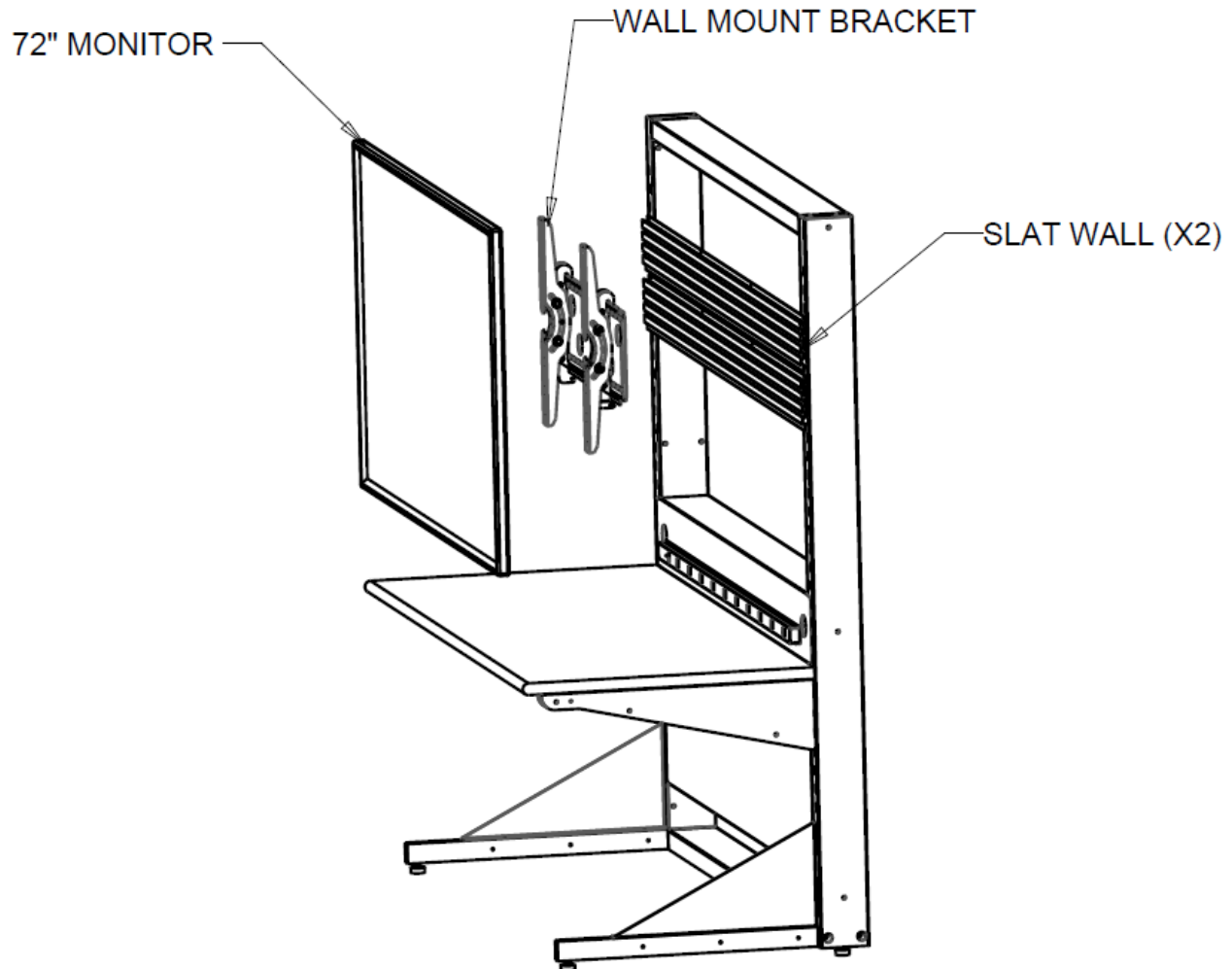
**Part # SSPQ72-84K1-A Work Bench Complete Accessories Kit 72"W x 84"H**

**Part # SSPQ60-84K1-A Work Bench Complete Accessories Kit 60"W x 84"H**

**Optional Bottom Self: Part # SSB60-20 (60"W 20"D) Part # SSB72-20 (72"W 20"D)**

- Work Bench Complete Accessories Kit includes
- 72" or 60" W Tabletop Adjustable
- 2 x 72" or 60" W x 20" D shelves adjustable
- Built in Power Adjustable rail kit - 60" Long with 6 Ft cord Plug
- 4 Adjustable Leveling feet
- Upper and Lower Grounding Points
- Cable Mable management Systems
- Rear Privacy Panel
- Available in different sizes and configurations

## DL Custom new generation lab benches with slatwall



Part # SSPQ72-84K1-SW Work Bench Complete Accessories Kit 72"W x 84"H

Part # SSPQ60-84K1-SW Work Bench Complete Accessories Kit 60"W x 84"H

- Work Bench Complete Accessories Kit includes
- 72" or 60" W Tabletop Adjustable
- Slatwall that can be used to mount your display units
- Built in Power Adjustable rail kit - 60" Long with 6 Ft cord Plug
- 4 Adjustable Leveling feet
- Upper and Lower Grounding Points
- Cable Mable management Systems
- Rear Privacy Panel
- Available in different sizes and configurations

DL Custom is an authorized distributor of Raritan, APC and TrippLite PDU's  
DL Custom provides turnkey solution including installation services