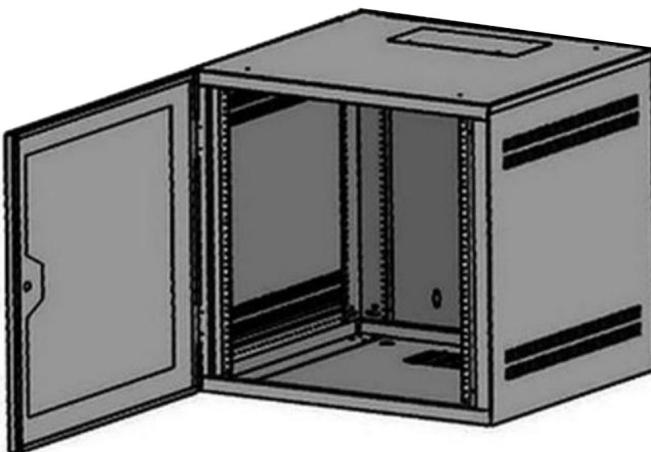


Features:

The WMVE model cabinet is designed for those applications where equipment is mounted vertically with "knobs up". The solid body is welded 11 gauge steel and features a vented back with two fan mounting positions in the bottom.

The hinged top cover allows convenient equipment access.

PART #	OVERALL HEIGHT	USEABLE DEPTH	TOTAL WIDTH	RACK UNITS
WMVE-8-24	24"	18"	25 1/4"	8U
WMVE-8-36	36"	30"	25 1/4"	8U



Features:

The WMB Wall Mount Box is a fixed unit with a standard 19" rackmount.

PART #	DEPTH
WMB-1915	15"
WMB-1920	20"
WMB-1924	24"